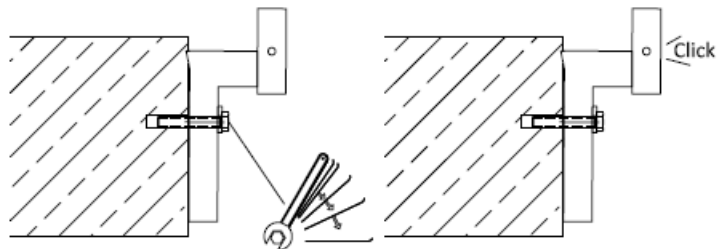
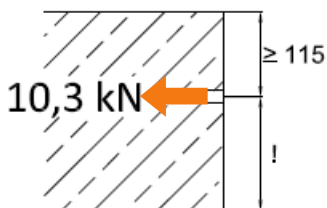
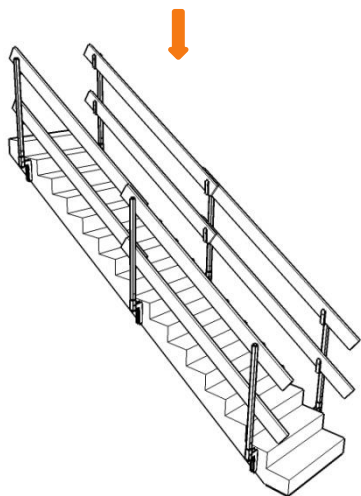
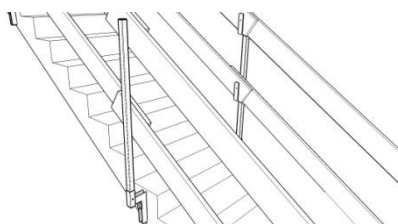
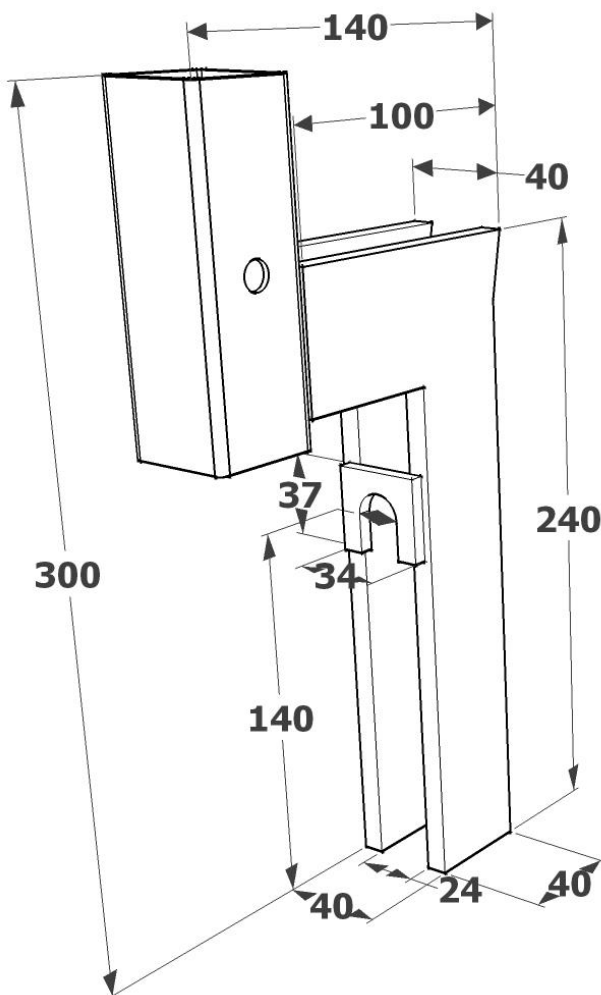


TCT Edge TD 5040005

Art. No.: 5040005
 Weight: 1,9 kg
 PU: 250 pcs / Euro Box
 Measurements/
 PU: 124 x 84 cm
 Weight/PU: 545 kg
 According to: EN 13374, class A



← [mm] →